

SIDANI DESIGN



BUFFET / SIDEBOARD.BLACK FOREST

INTRODUCTION

In the heart of an ancient, untamed forest, where light struggles to penetrate the dense canopy, lies the inspiration for the Black Forest collection. This enchanted woodland, shrouded in mystery and legend, is a place where nature's darkest beauty reveals itself in the most unexpected forms.

THE ORIGIN

The Black Forest is a realm where mythical creatures and ancient plants thrive, their forms intertwining in a dance of shadows and light. The designers of the Black Forest collection ventured into this mysterious landscape, seeking to capture the essence of its haunting elegance and raw power. They drew inspiration from the gnarled branches, twisted vines, and the fleeting glimpses of forest spirits that seem to dwell within the shadows.

PRODUCT FEATURES

AS PICTURED

UPHOLSTERY:

FRINGES:

PRODUCT OPTIONS

UPHOLSTERY

FRINGES

CLIENT'S OWN MATERIAL (COM) REQUIREMENTS
FABRIC

TECHNICAL DETAILS

VOLUME

WEIGHT

35 kg | 77,2 lbs

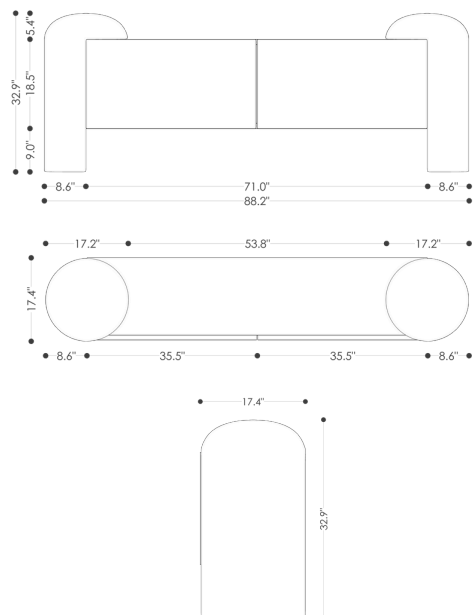
40 kg | 88,2 lbs (packed in reinforced carton case)

DIMENSIONS

W: 224 cm | 88,2"

D: 44,2 cm | 17,4"

H: 83,5 cm | 32,9"



ADDRESS

SIDANI DESIGN



COFFEE TABLE.BLACK FOREST

INTRODUCTION

In the heart of an ancient, untamed forest, where light struggles to penetrate the dense canopy, lies the inspiration for the Black Forest collection. This enchanted woodland, shrouded in mystery and legend, is a place where nature's darkest beauty reveals itself in the most unexpected forms.

THE ORIGIN

The Black Forest is a realm where mythical creatures and ancient plants thrive, their forms intertwining in a dance of shadows and light. The designers of the Black Forest collection ventured into this mysterious landscape, seeking to capture the essence of its haunting elegance and raw power. They drew inspiration from the gnarled branches, twisted vines, and the fleeting glimpses of forest spirits that seem to dwell within the shadows.

PRODUCT FEATURES

AS PICTURED

UPHOLSTERY:

FRINGES:

PRODUCT OPTIONS

UPHOLSTERY:

FRINGES:

CLIENT'S OWN MATERIAL (COM) REQUIREMENTS

FABRIC

TECHNICAL DETAILS

VOLUME

WEIGHT

35 kg | 77,2 lbs

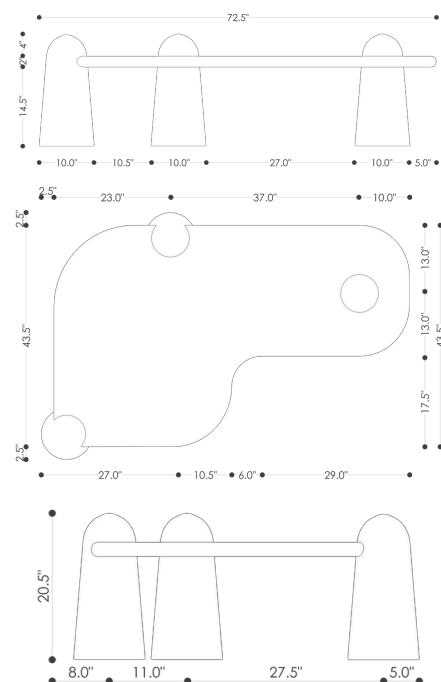
40 kg | 88,2 lbs (packed in reinforced carton case)

DIMENSIONS

W: 184,2 cm | 72,5"

D: 44,2 cm | 17,4"

H: 52.1 cm | 20.5"



ADDRESS

SIDANI DESIGN



LOUNGE CHAIR.BLACK FOREST

INTRODUCTION

In the heart of an ancient, untamed forest, where light struggles to penetrate the dense canopy, lies the inspiration for the Black Forest collection. This enchanted woodland, shrouded in mystery and legend, is a place where nature's darkest beauty reveals itself in the most unexpected forms.

THE ORIGIN

The Black Forest is a realm where mythical creatures and ancient plants thrive, their forms intertwining in a dance of shadows and light. The designers of the Black Forest collection ventured into this mysterious landscape, seeking to capture the essence of its haunting elegance and raw power. They drew inspiration from the gnarled branches, twisted vines, and the fleeting glimpses of forest spirits that seem to dwell within the shadows.

PRODUCT FEATURES

AS PICTURED

UPHOLSTERY:

FRINGES:

PRODUCT OPTIONS

UPHOLSTERY:

FRINGES:

CLIENT'S OWN MATERIAL (COM) REQUIREMENTS

FABRIC

TECHNICAL DETAILS

VOLUME

WEIGHT

35 kg | 77,2 lbs

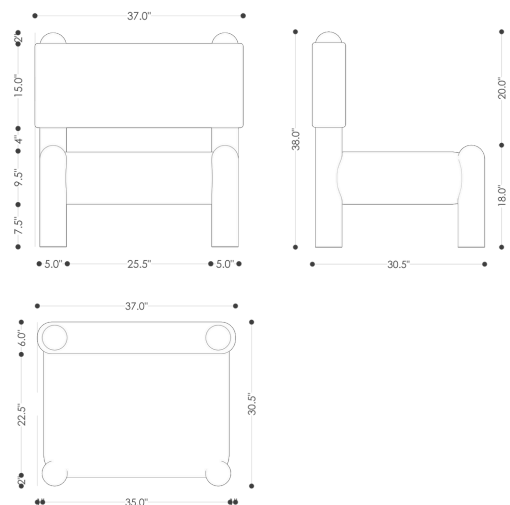
40 kg | 88,2 lbs (packed in reinforced carton case)

DIMENSIONS

W: 94 cm | 37"

D: 77,5 cm | 30,5"

H: 96,5 cm | 38"



ADDRESS

SIDANI DESIGN



CONSOLE.BLACK FOREST

INTRODUCTION

In the heart of an ancient, untamed forest, where light struggles to penetrate the dense canopy, lies the inspiration for the Black Forest collection. This enchanted woodland, shrouded in mystery and legend, is a place where nature's darkest beauty reveals itself in the most unexpected forms.

THE ORIGIN

The Black Forest is a realm where mythical creatures and ancient plants thrive, their forms intertwining in a dance of shadows and light. The designers of the Black Forest collection ventured into this mysterious landscape, seeking to capture the essence of its haunting elegance and raw power. They drew inspiration from the gnarled branches, twisted vines, and the fleeting glimpses of forest spirits that seem to dwell within the shadows.

PRODUCT FEATURES

AS PICTURED

UPHOLSTERY:

FRINGES:

PRODUCT OPTIONS

UPHOLSTERY:

FRINGES:

CLIENT'S OWN MATERIAL (COM) REQUIREMENTS

FABRIC

TECHNICAL DETAILS

VOLUME

WEIGHT

35 kg | 77,2 lbs

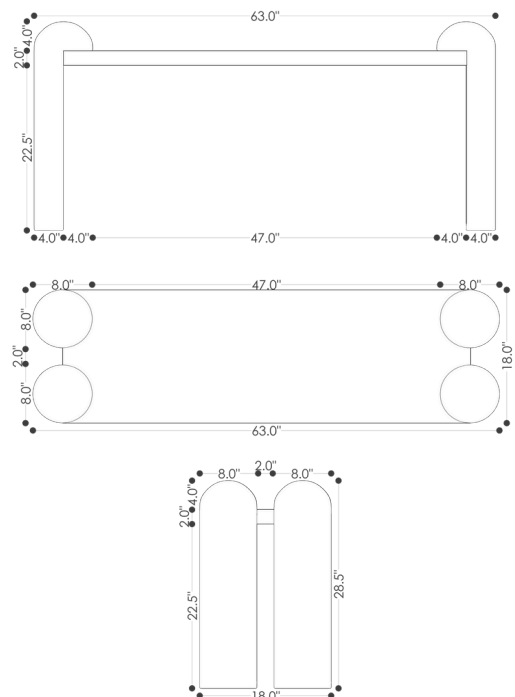
40 kg | 88,2 lbs (packed in reinforced carton case)

DIMENSIONS

W: 160 cm | 63"

D: 45,7 cm | 18"

H: 72,4 cm | 28,5"



ADDRESS

SIDANI DESIGN



ENIGMA LOUNGE CHAIR.SIERRA COLLECTION

INTRODUCTION

INFORMATION IS MISSING

THE ORIGIN

Sierra Collection Inspired by California's Sierra Nevada, the Sierra Collection celebrates nature's intricate symmetry and serene beauty. The centerpiece, the Enigma Chair, features a high triangular back and five spherical legs, echoing the region's rugged peaks, smooth stones, and gentle lake curves. Complementing the chair, the Orb Ottoman symbolizes wholeness and unity with its matching spherical legs.

PRODUCT FEATURES

AS PICTURED

UPHOLSTERY:

FRINGES:

PRODUCT OPTIONS

UPHOLSTERY:

FRINGES:

CLIENT'S OWN MATERIAL (COM) REQUIREMENTS

FABRIC

TECHNICAL DETAILS

VOLUME

WEIGHT

35 kg | 77,2 lbs

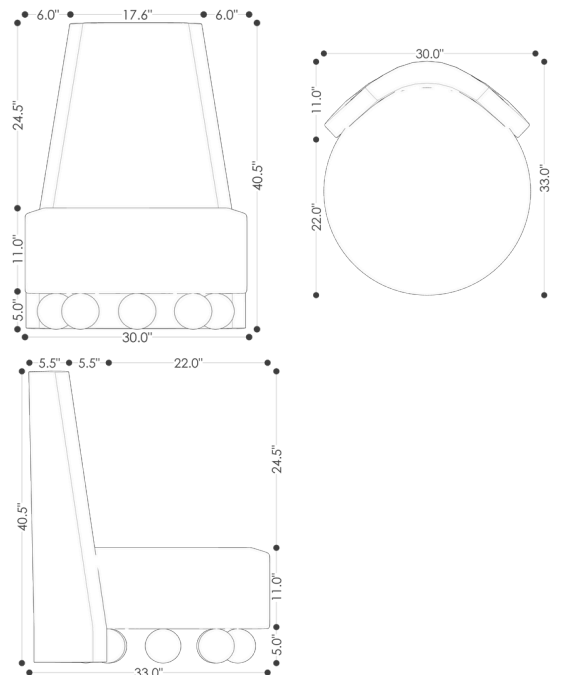
40 kg | 88,2 lbs (packed in reinforced carton case)

DIMENSIONS

W: 76,2 cm | 30"

D: 83,8 cm | 33"

H: 102,8 cm | 40,5"



ADDRESS

SIDANI DESIGN



ORB OTTOMAN.BRIDE COLLECTION

INTRODUCTION

INFORMATION IS MISSING

THE ORIGIN

Sierra Collection Inspired by California's Sierra Nevada, the Sierra Collection celebrates nature's intricate symmetry and serene beauty. The centerpiece, the Enigma Chair, features a high triangular back and five spherical legs, echoing the region's rugged peaks, smooth stones, and gentle lake curves. Complementing the chair, the Orb Ottoman symbolizes wholeness and unity with its matching spherical legs.

PRODUCT FEATURES

AS PICTURED

UPHOLSTERY:

FRINGES:

PRODUCT OPTIONS

UPHOLSTERY:

FRINGES:

CLIENT'S OWN MATERIAL (COM) REQUIREMENTS

FABRIC

TECHNICAL DETAILS

VOLUME

WEIGHT

35 kg | 77,2 lbs

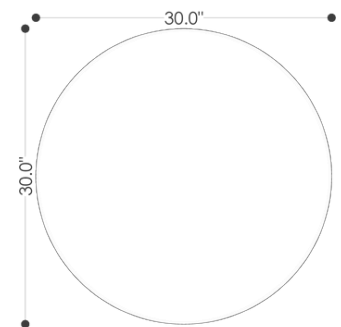
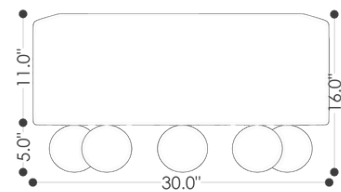
40 kg | 88,2 lbs (packed in reinforced carton case)

DIMENSIONS

W: 76,2 cm | 30"

D: 76,2 cm | 30"

H: 40,6 cm | 16"



ADDRESS

SIDANI DESIGN



SOFA.ILLUSION CORNER

INTRODUCTION

INFORMATION IS MISSING

THE ORIGIN

INFORMATION IS MISSING

PRODUCT FEATURES

AS PICTURED

UPHOLSTERY:

FRINGES:

PRODUCT OPTIONS

UPHOLSTERY:

FRINGES:

CLIENT'S OWN MATERIAL (COM) REQUIREMENTS

FABRIC

TECHNICAL DETAILS

VOLUME

WEIGHT

35 kg | 77,2 lbs

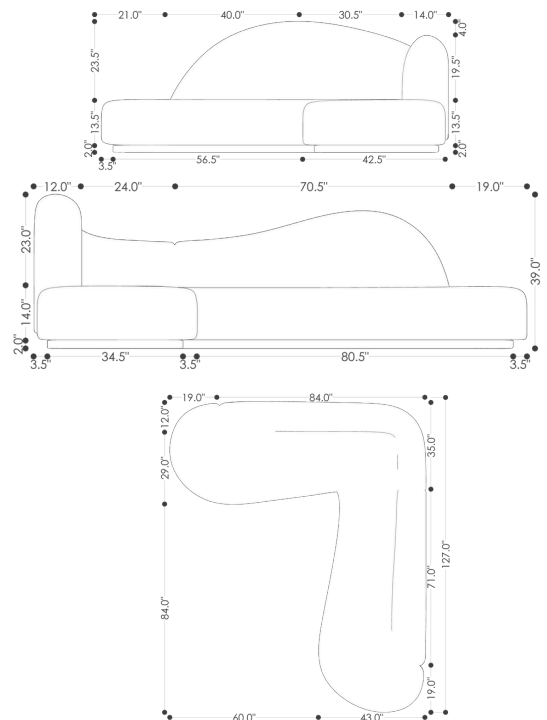
40 kg | 88,2 lbs (packed in reinforced carton case)

DIMENSIONS

W: 322,6 cm | 127"

D: 261,6 cm | 103"

H: 99 cm | 39"



ADDRESS

SIDANI DESIGN



SOFA.NORDIQUE COLLECTION

INTRODUCTION

INFORMATION IS MISSING

THE ORIGIN

Inspired by Scandinavian elegance, the Nordique Collection emphasizes clean lines and minimalistic design. This design philosophy integrates natural materials and a neutral color palette to create a serene atmosphere.

PRODUCT FEATURES

AS PICTURED

UPHOLSTERY:

FRINGES:

PRODUCT OPTIONS

UPHOLSTERY:

FRINGES:

CLIENT'S OWN MATERIAL (COM) REQUIREMENTS

FABRIC

TECHNICAL DETAILS

VOLUME

WEIGHT

35 kg | 77,2 lbs

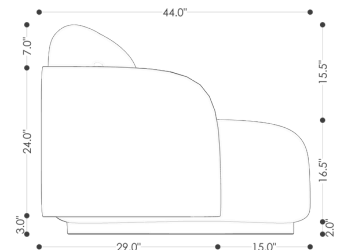
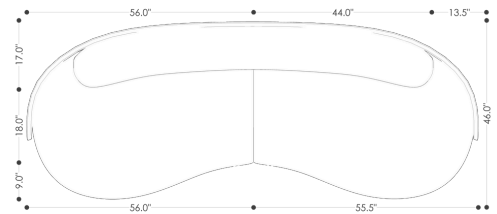
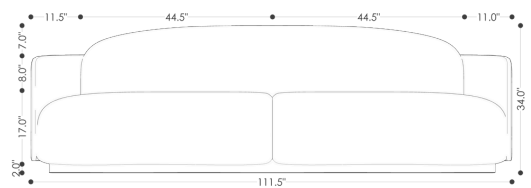
40 kg | 88,2 lbs (packed in reinforced carton case)

DIMENSIONS

W: 283,2 cm | 127"

D: 117 cm | 46"

H: 86,4 cm | 34"



ADDRESS

SIDANI DESIGN



ARMCHAIR.NORDIQUE COLLECTION

INTRODUCTION

INFORMATION IS MISSING

THE ORIGIN

Inspired by Scandinavian elegance, the Nordique Collection emphasizes clean lines and minimalistic design. This design philosophy integrates natural materials and a neutral color palette to create a serene atmosphere.

PRODUCT FEATURES

AS PICTURED

UPHOLSTERY:

FRINGES:

PRODUCT OPTIONS

UPHOLSTERY:

FRINGES:

CLIENT'S OWN MATERIAL (COM) REQUIREMENTS

FABRIC

TECHNICAL DETAILS

VOLUME

WEIGHT

35 kg | 77,2 lbs

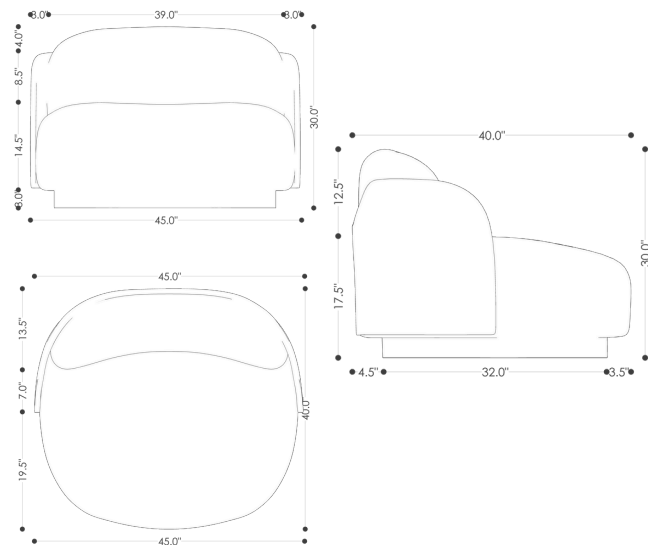
40 kg | 88,2 lbs (packed in reinforced carton case)

DIMENSIONS

W: 114,3 cm | 45"

D: 102 cm | 46"

H: 76,2 cm | 30"



ADDRESS